



HUBBELL  
**iStation**

## Audio/Video Connectors, Gold Speaker Post

Universal Keystone Design fits in all Hubbell Products.

Gold-Plated Connection.

Screw-Style or Plug-In Installation for Quick and Easy Termination.

Industry Standard Banana Plug Style Connection.



High-performance, Gold-plated speaker posts.

High-impact, flame-retardant polymer.

Quick and easy screw-style connection.

### SPECIFICATIONS

- ◆ **Connector:**
  - Body: Brass
  - Plating: Gold 2 $\mu$ "
- ◆ **Material:**
  - Housing: Flame Retardant Polymer (UL 94V-0)
- ◆ **Ring Color:** Black and Red.

Hubbell's Gold AV Speaker Post connectors provide a perfect solution for distributing audio signals throughout the home, office, classroom or to a work area. Requiring no soldering, these gold speaker post connectors install with a "snap" and provide a quick, easy screw-on or plug-in termination.

These gold speaker posts are available in 7 standard Hubbell colors and flush mount into all **iSTATION**<sup>™</sup> face plates, modules, frames, surface housings, Hubbell Delivery System products including poke-throughs and surface raceway, and **iSTATION**<sup>™</sup> UDX multimedia panels.

Create a customized multimedia workstation by adding a Gold AV speaker post along with Hubbell's other AV modules or **XCELERATOR**<sup>™</sup> jacks.

### CONNECTOR TERM

**Speaker Post:** Binding post is a connector commonly used on loudspeakers and audio amplifiers as well as other electrical equipment. A binding post contains a central threaded metal rod and a cap that screws down on that rod.

**Banana Plug:** Is a single-wire (one conductor) male electrical connector used for joining wires to equipment. Commonly used on the cables connecting audio equipment, amplifiers or receivers to the loudspeakers or home sound systems

#### Color-Code:

Red: + positive  
Black: - negative

### APPLICATIONS SUPPORTED

- Home theater.
- Surround sound systems.
- Entertainment systems.
- Speaker connections.

### INSTALLATION TIPS

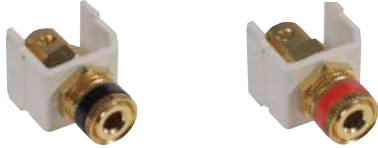
**Important:** Always allow for clearance behind connection location to ensure for proper bend radius.

**Gold Plating:** Gold plating encapsulates the connectors base metal (brass) preventing oxidation/corrosion from forming. It also has a more transparent (signal) conductive path over Nickel (3x), which is closer to copper it's transmitting over.

### CABLE TERMINATION

**Cable Type:** 14-24 AWG stranded.

**AV Connectors, Speaker Post, Gold**



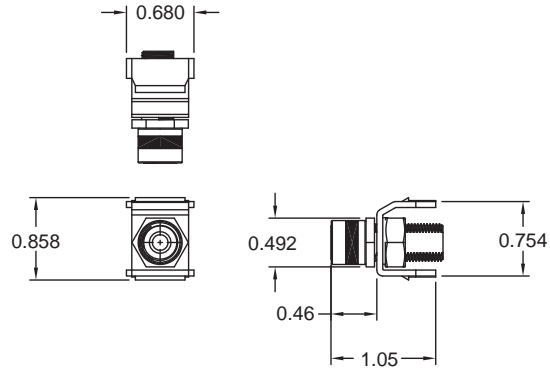
Ring Color: Black	Ring Color: Red
Catalog No. <b>SFSPGBKXX</b>	Catalog No. <b>SFSPGRXX</b>
Housing color* Office White <b>SFSPGBK</b>	<b>SFSPGR</b>

Housing color\*  
Office White

**XX = Housing Colors**

"AL" = Almond; "BK" = Black; "EI" = Electric Ivory; "GY" = Gray;  
"LA" = Light Almond; "OW" = "W" = White.

**DIMENSIONS**



**Speaker Post Plugs**



Catalog No. Black <b>SPPBK10</b>	Catalog No. Red <b>SPPR10</b>
----------------------------------	-------------------------------

10-pack

**iSTATION™ COMPATIBLE**

**Work Station and Cross-Connect Solutions**

- Front and Rear-loading Plates
- Duplex and Decorator Frames
- ISM Surface Mount Boxes
- UDX Multimedia Panels (except 1U-48)
- netSELECT™: Residential Network Solution
- iFRAME™ Vertical Patch Panel

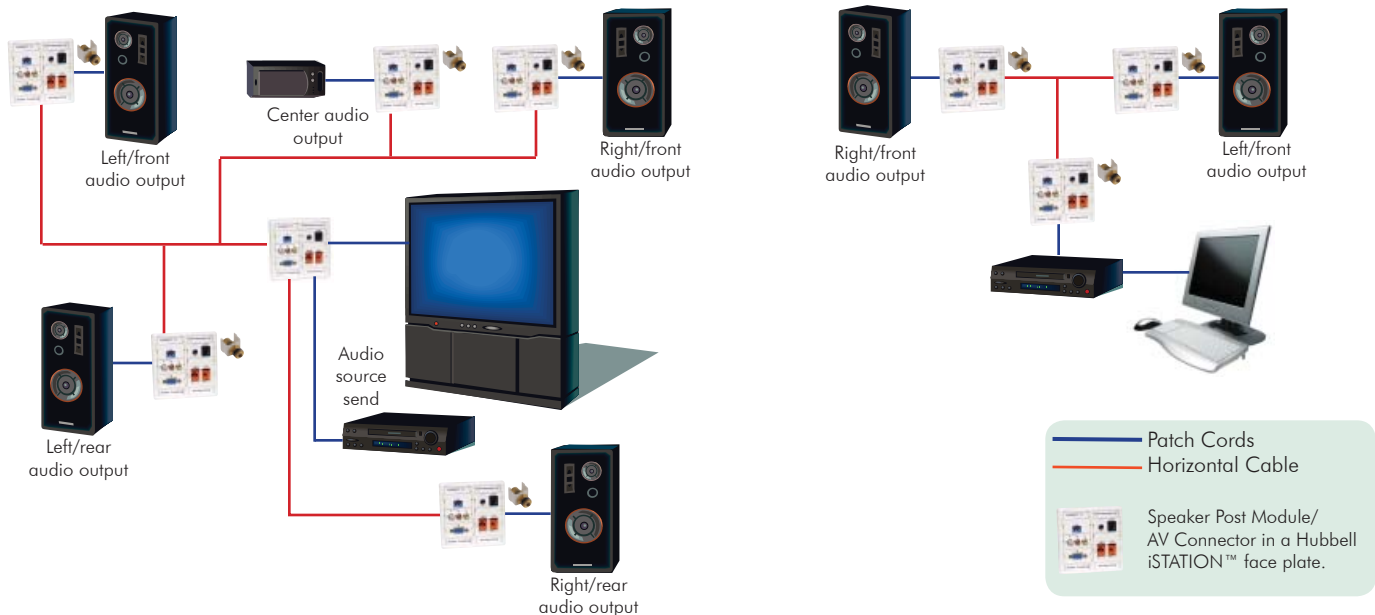


**Hubbell Delivery System**

- Hubbell SystemOne Poke-Throughs and Floor Boxes
- Hubbell Surface Raceway, Metal and Non-Metallic
- Multi-Connect™ Wall Boxes/Conference Table Boxes
- Power Poles



**TYPICAL APPLICATIONS**



**Hubbell Premise Wiring**

HUBBELL INCORPORATED (Delaware)  
14 Lord's Hill Road • Stonington, CT 06378-0901 • (860) 535-8326 • 800-626-0005  
Fax: (860) 535-8328 • Internet site: <http://www.hubbell-premise.com>

**DS-C50 12/07**

**Worldwide Locations**

Hubbell Premise Wiring, Asia Pacific  
Hubbell Canada Inc.  
Hubbell Premise Wiring, Central America  
Hubbell Premise Wiring, China  
Hubbell Premise Wiring, Europe  
Hubbell Premise Wiring, India  
Hubbell Int'l. Inc., Korea Branch

852-2836-7131 Fax: 852-2836-7132  
905-839-1138 Fax: 905-839-9108  
506-309-4158 Fax: 506-260-1616  
86-21-6374 2660 Fax: 86-21-6374 2799  
44-01283 500500 Fax: 44-01283 500400  
91-80-4022-4089 Fax: 91-80-4022-4033  
(82 2) 2607 1363 Fax: (82 2) 2603 7386

Hubbell Premise Wiring, Latin America  
Hubbell de Mexico, S.A. de C.V.  
Hubbell Premise Wiring, Middle East  
Hubbell Premise Wiring, Puerto Rico  
Hubbell-Taian Co., Ltd., Taiwan  
Hubbell Premise Wiring, Venezuela

305-408-4501  
(5255) 9151-9999  
971-4-393-4192  
787-855-1075  
886-2-2522-1862  
58-212-5156482

Fax: 305-408-8201  
Fax: (5255) 9151-9989  
Fax: 971-4-393-4194  
Fax: 787-855-3265  
Fax: 886-2-2522-1872  
Fax: 58-212-6627258