



HUBBELL
HiImpact RE-BOX® Remote Equipment Cabinet

Available in UL Type NEMA 3R, 12, 4, 4X and 13 Versions.

Protects Commercial Network Equipment when Located in Harsh Environments.

Field-Configurable to Suit Multiple Applications.

Dust and watertight gasket on door.

Rear mounting panel with equipment mounting brackets (pre-configured enclosures only)

Front cover ¼-turn latches for secure closure.

Print pocket is provided.



SPECIFICATIONS

- ◆ 14 ga. steel construction on body and door.
- ◆ Continuous plasma-welded seams.
- ◆ ¼ turn, oil-tight latches on door.
- ◆ Poured-in polyurethane gasket on door.
- ◆ ANSI 61 Gray polyester inside and out over phosphatized surfaces.

APPROVALS

- Dust and watertight to NEMA 12.
- UL Listed to UL508 Type 12 enclosures*.
- CSA Certified types 4 and 12**.
- NEMA/EEMAC Types 4, 12, and 13.
- JIC EL-1-7.

* UL File #E64791.

** CSA File #LL66078.



APPLICATIONS

- Use when a telecom enclosure is required to house and secure network equipment in harsh environments such as factory floor, convention centers, correctional facilities, and commercial kitchens.

Hubbell's **HI-IMPACT™ RE-BOX®** cabinet is designed for harsh environments where oil, dirt, dust and moisture are present. In addition to the standard commercial grade REbox remote equipment cabinet, the **HI-IMPACT™ REBOX®** cabinets are available in NEMA 3R, 4/12/13, and 4X versions.

HI-IMPACT™ RE-BOX® cabinets include a dust and watertight gasket built into the door.

What separates the **HI-IMPACT™ RE-BOX®** cabinets from traditional "gray boxes" is a specially designed, factory pre-punched rear panel. The **RE-BOX®** rear panel allows designers and installers to configure the cabinet on paper or in the field simply by clipping in standard mounting bracket accessories.

The **HI-IMPACT™ RE-BOX®** cabinets are available in pre-configured and user-configurable styles. The pre-configured style includes brackets to mount 19" patch panels and switches mounted to the rear panel. The user-configurable style includes only the rear panel to allow the user to arrange the cabinet to best suit the application.

HI-IMPACT™ REBOX® Remote Equipment Cabinet

Order Information

User-Configurable Version

Delivery: 1 enclosure.

Material:	CRS	CRS	Stainless Steel
Finish:	Gray Powder Coat	Gray Powder Coat	Brushed, unpainted
NEMA Rating:	3R	4/12/13	4X
Height: 24" (610)	IR2U3R	IR2UG	IR2USS
Height: 36" (914.4)	IR3U3R	IR3UG	IR3USS
Height: 48" (1219.2)	-	IR4UG	-

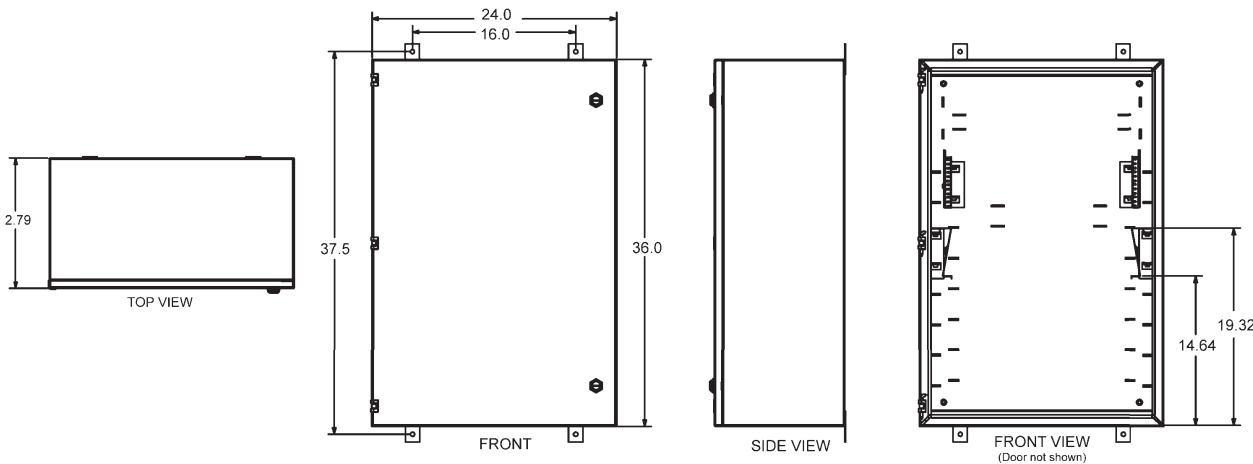


Pre-Configured Version

Delivery: 1 enclosure; 1 bottom-hinged patch panel bracket, 4U (REK19); and 1 equipment mounting bracket, 5U (REKZ).

Material:	CRS	CRS	Stainless Steel
Finish:	Gray Powder Coat	Gray Powder Coat	Brushed, unpainted
NEMA Rating:	3R	4/12/13	4X
Height: 36" (914.4)	-	IR3PG	-
Height: 48" (1219.2)	-	IR4PG	-

DIMENSIONS



ACCESSORIES

Description	Catalog No.	Description	Catalog No.	Description	Catalog No.
Plywood Backboard, 3/4" 20"H x 19"W	REKBB20	Equipment Mounting Bracket, 5U	REKZ	Fiber Patch Panel Bracket (accepts 1 FSP panel)	REKFP
30"H x 19"W	REKBB30	110/66 Block Mounting Rails (accepts five 100-pair/110-pair blocks)	REK110	Power Kit, 20A	REKP
40"H x 19"W	REKBB40	Patch Panel Bracket Bottom-hinged, 4U	REK19		

Please see our complete offering of products used with the RE-BOX® enclosure detailed in the RE-BOX® Accessories datasheet.



Hubbell Premise Wiring

HUBBELL INCORPORATED (Delaware)

14 Lord's Hill Road • Stonington, CT 06378-0901 • (860) 535-8326 • 800-626-0005

Fax: (860) 535-8328 • Internet site: <http://www.hubbell-premise.com>

Worldwide Locations

Hubbell Premise Wiring, Asia Pacific
Hubbell Canada Inc.
Hubbell Premise Wiring, Central America
Hubbell Premise Wiring, China
Hubbell Premise Wiring, Colombia
Hubbell Premise Wiring, Europe
Hubbell Int'l. Inc., Korea Branch

852-2836-7131
905-839-1138
506-309-4158
8621-6309-0119
571-245-8940
44-01283 500500
82-2-(0)2607-1363

Fax: 852-2836-7132
Fax: 905-839-9108
Fax: 506-260-1616
Fax: 8621-6309-0122
Fax: 571-340-0925
Fax: 44-01283 500400
Fax: 82-2-(0)2603-7386

Hubbell Premise Wiring, Latin America
Hubbell de Mexico, S.A. de C.V.
Hubbell Premise Wiring, Middle East
Hubbell-Taian Co., Ltd., Taiwan
Hubbell Premise Wiring, Turkey
Hubbell Premise Wiring, Venezuela

305-408-4501
(5255) 9151-9999
971-4-393-4192
886-2-2522-1862
90-216-313-5016
58-416-680-7453

Fax: 305-408-8201
Fax: (5255) 9151-9989
Fax: 971-4-393-4194
Fax: 886-2-2522-1872
Fax: 90-216-414-8148
Fax: 58-281-274-7900