



Equipment Shelves for 19" Cabinets and Racks

Ideal for Servers, Monitors, or Other Heavy Equipment.

Heavy-Duty Version Available for Storage Applications.



MCCCS19P

Equipment Shelf

FEATURES

- For lighter equipment such as hubs or modems.
- Mount upside down to create a work surface.

SPECIFICATIONS

- ◆ Material: 16 ga. steel.
- ◆ Finish: Durable black, powder coat.
- ◆ Load capacity: 50 lbs.



MCCCS19

ORDER INFORMATION

For use in all HPW cabinets and racks.

Delivery: 1 shelf and 4 HPW screws.

Description	Dimensions	Color	Catalog. No.
Cantilevered	3.5"H x 17"W x 14"D	Black	MCCCS19
Perforated	3.5"H x 17"W x 14"D	Black	MCCCS19P

Equipment Shelf, Center-Weighted

FEATURES

- Ideal for servers, monitors, and other heavy equipment.

SPECIFICATIONS

- ◆ Material: 16 ga. steel.
- ◆ Finish: Durable black, powder coat.
- ◆ Load capacity: 75 lbs.



ORDER INFORMATION

For use in Equipment Racks. Dimensions: 3.5"H x 17"W x 19"D.

Delivery: 1 shelf and 4 HPW screws.

Catalog. No.	MCCCWS19
--------------	-----------------

Equipment Shelf, Heavy-Duty

FEATURES

- Ideal for heavy-duty storage applications.

SPECIFICATIONS

- ◆ Material: 16 ga. cold rolled steel.
- ◆ Finish: Durable black, powder coat.
- ◆ Load capacity: 200 lbs.



ORDER INFORMATION

For use in 19" Equipment Racks and iFRAME Column Systems.

Dimensions: 7"H x 19"W x 20"D.

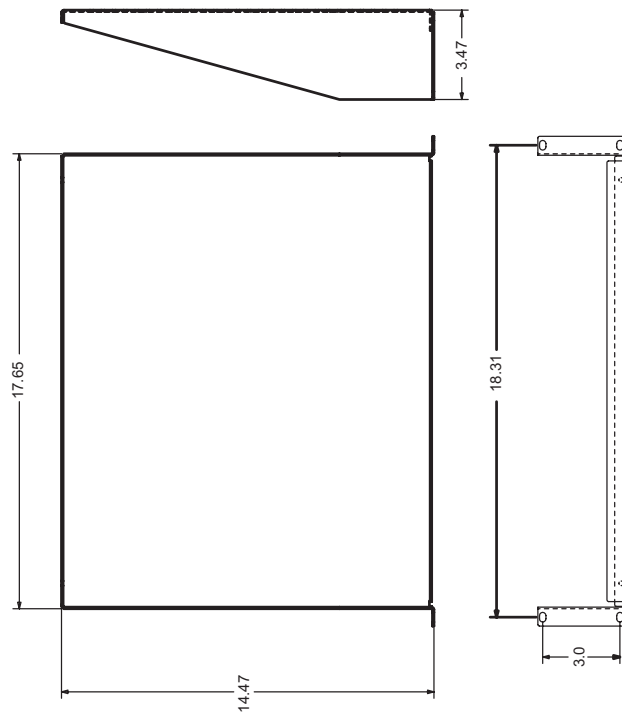
Delivery: 1 shelf and 4 HPW screws.

Color	Catalog. No.
Black	MCCCWS19HD
Aluminum	MCCCWS19HDA

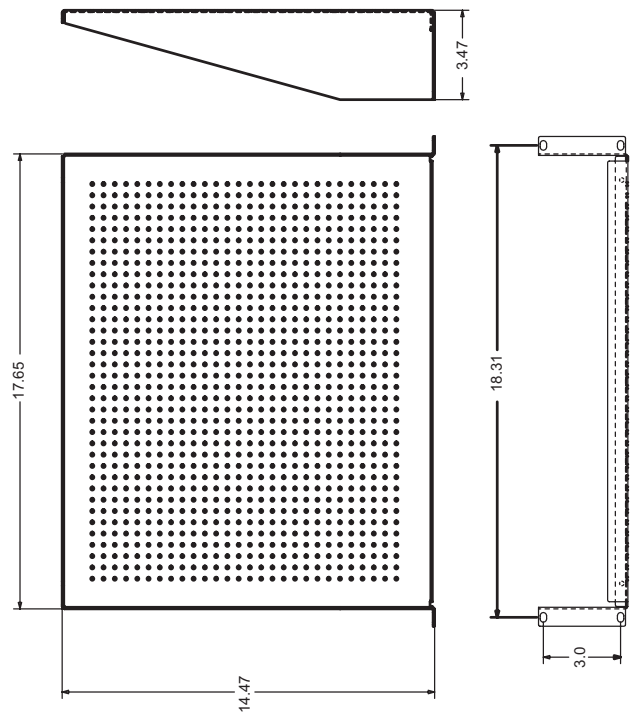


DIMENSIONS

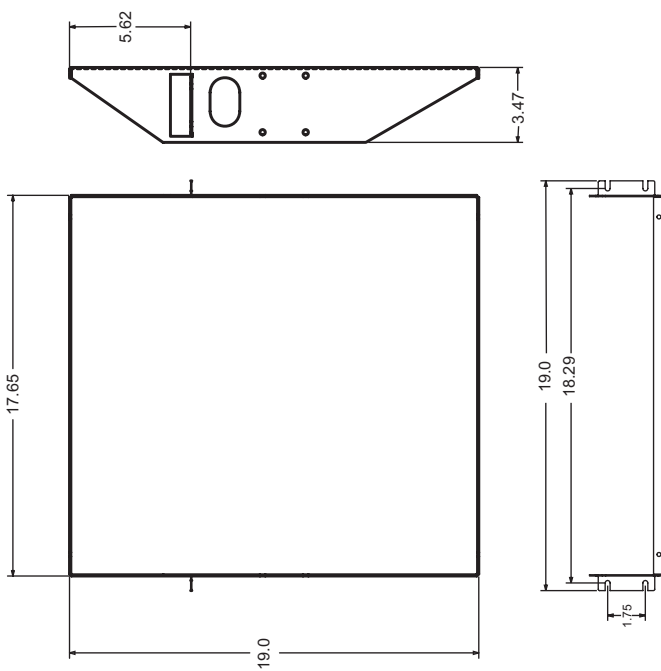
MCCCS19



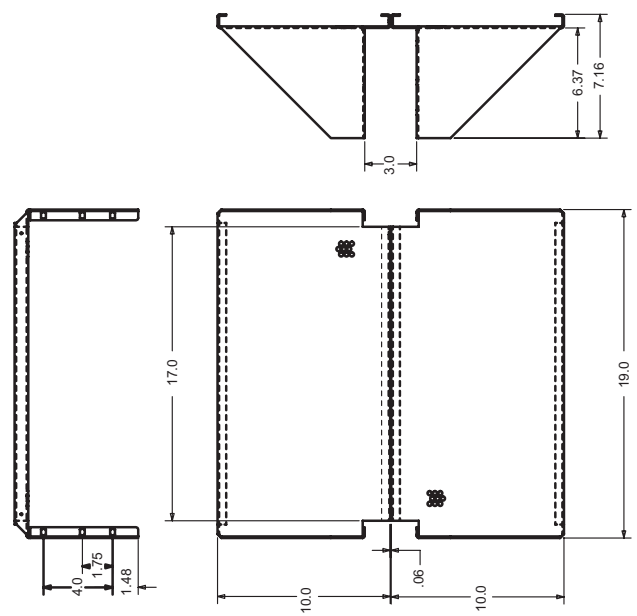
MCCCS19P



MCCCWS19



MCCCWS19HD and MCCCWS19HDA



Hubbell Premise Wiring

HUBBELL INCORPORATED (Delaware)

14 Lord's Hill Road • Stonington, CT 06378-0901 • (860) 535-8326 • 800-626-0005

Fax: (860) 535-8328 • Internet site: <http://www.hubbell-premise.com>

Worldwide Locations

Hubbell Premise Wiring, Asia Pacific
 Hubbell Canada Inc.
 Hubbell Premise Wiring, Central America
 Hubbell Premise Wiring, China
 Hubbell Premise Wiring, Colombia
 Hubbell Premise Wiring, Europe
 Hubbell Int'l. Inc., Korea Branch

852-2836-7131 Fax: 852-2836-7132
 905-839-1138 Fax: 905-839-9108
 506-309-4158 Fax: 506-260-1616
 8621-6309-0119 Fax: 8621-6309-0122
 571-245-8940 Fax: 571-340-0925
 44-01283 500500 Fax: 44-01283 500400
 82-2-(0)2607-1363 Fax: 82-2-(0)2603-7386

Hubbell Premise Wiring, Latin America
 Hubbell de Mexico, S.A. de C.V.
 Hubbell Premise Wiring, Middle East
 Hubbell-Taian Co., Ltd., Taiwan
 Hubbell Premise Wiring, Turkey
 Hubbell Premise Wiring, Venezuela

305-408-4501 Fax: 305-408-8201
 (5255) 9151-9999 Fax: (5255) 9151-9989
 971-4-393-4192 Fax: 971-4-393-4194
 886-2-2522-1862 Fax: 886-2-2522-1872
 90-216-313-5016 Fax: 90-216-414-8148
 58-416-680-7453 Fax: 58-281-274-7900