

- Extend VGA/HDMI or 3X HDMI with USB, RS232, and IR up to 328 Feet over UTP
- 110 Termination Reduces Installation Time
- High Definition Digital 4K @ 60Hz Video and Audio with Control
- Utilize Same Cable for Current and Future Applications

FEATURES

- Locating a display device up to 328 feet (100m) away is as simple as pulling one UTP cable to a drop
- Terminate with one Category 6A, 6 or 5e UTP or shielded, plenum or non-plenum cable
- Auto-switching transmitters supports up to three inputs over one cable run

SPECIFICATIONS

- Connectors: HDMI 19-pin, Type A, female connector, gold plated 2µ"
- IDC Contact: phosphor bronze with tin plating over nickel under plating
- Material: aluminum housing and mounting strap with thermoplastic face

PERFORMANCE

- Applications:
 - HDMI Video maximum support: 3840 x 2160p @ 24/25/30Hz 4:4:4 24bit (100m/328ft)
4096 x 2160p @ 60Hz 4:2:0 24bit (100m/328ft)
HDCP 2.2, CEC control
 - VGA video maximum support: 1920 x 1200 @ 60Hz
 - Audio signal: 2ch PCM; up to 7.1 DTS-X and DOLBY ATMOS®
 - Analog audio pass through 3.5mm jacks
 - USB Type A, 2.0 High Speed (480mbps), selectable Host or Device
 - RS232 : 3.5mm jack, bidirectional 115.2kbps maximum
- Electrical:
 - Distance limitations: Hubbell approved cable (see supported distance table)
 - Up to 328' (100m) with Cat 6A/6/5e
 - Power: Front or rear 5V DC input on each device
 - DC power wire length: up to 50ft with 16 AWG
- Mechanical:
 - Minimum box depth: 1.50"
 - HDMI: 250 insertions

HUBBELL
iSTATION HDBaseT 2.0
In-Wall AV Switches



Hubbell's In-Wall AV Switching Extenders with HDBaseT transmit up to Ultra HD 4K signals over one solid, unshielded, twisted-pair (UTP) cable, allowing video display devices to be located a maximum of 328 feet away from a source. These units provide auto and manual switching capability to support one VGA with one HDMI or three HDMI inputs. Additionally they include repeating of RS232, IR, and USB control signals. Ideal for interactive white boards, projectors, HDTVs, flat screens, monitors and other video display devices. The Hubbell HDBaseT Auto-Switching Extender feature multiple LEDs to indicate that power and signal are working properly. Combine with Hubbell's single gang receiver to provide a complete and integrated in-wall AV switching solution.

GENERAL INFO

- Important: Always allow for clearance in front of the connection location to ensure for proper HDMI cable bend radius
- Supplied with IDC termination caps
- Category 6A or higher cables recommended; application is supported for lower category cables as follows below

4K, 60Hz Support by Cable Category and Number of Cables in a Bundle

	30M	50M	70M	100M
Cat 5e	5	3	1	1*
Cat 6	No limit	4	2	1
Cat 6A/7	No limit	No limit	No limit	No limit

*Up to 1080p, 60Hz, 36bpp

STANDARDS

- ETL
- HDMI, HDCP2.2 | CEC
- USB 2.0 High Speed (480mbps)
- RoHS compliant

APPLICATIONS

- Projectors
- Flat panel monitors
- Interactive white boards
- Digital signage
- Multimedia devices
- Desktop and laptop computers



DOLBY ATMOS is a registered trademark of Dolby Laboratories Licensing Corporation.

ORDERING INFORMATION

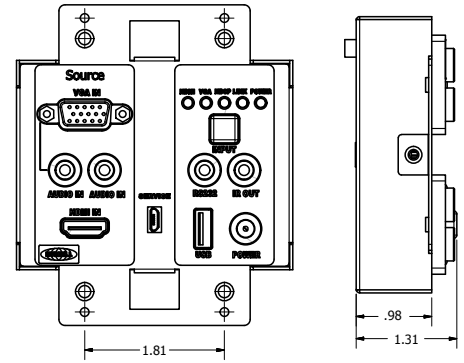
HDBaseT AV Switching Transmitters

Description	Installation	(1) VGA, (1)HDMI Transmitter	(3) HDMI Transmitter
Auto-switching AV HDBaseT transmitters with USB, RS232, IR, Black	Single 4-pair UTP Cable	ISFHDT421 BK	ISFHDT431 BK



DIMENSIONS

ISFHDT421 BK



COMPLEMENTARY PRODUCTS AND ACCESSORIES

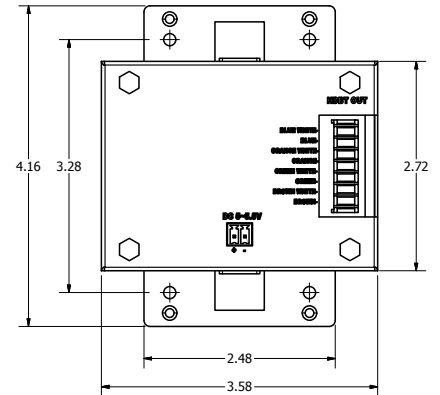
HDBaseT Single Gang Receiver

Description	Installation	Receiver
110 HDBaseT HDMI, USB, RS232, 5V DC, IR extender, Black	Single 4-pair UTP Cable	ISFHDR4BK



Power Supply Outlet

Description	Input Voltage	Output Voltage	Color	Catalog No.
USB Charger Tamper-Resistant Receptacle, (1) USB Port 3A, 5V DC output, 15A, 125V AC Decorator Duplex	125V AC	5V DC	Black	AVPS15BK
			Ivory	AVPS15I
			Gray	AVPS15GY
			Light Almond	AVPS15LA
			White	AVPS15W



External 5V DC Power Supply

Catalog No.	HDMIDC5V
-------------	-----------------

Infrared Emitter and Receiver Kit

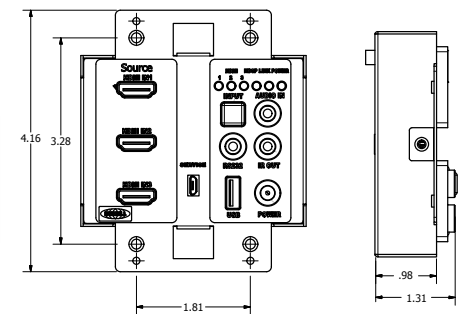
Catalog No.	AVIR
-------------	-------------

Patch Cords, HDMI, 24AWG

Color	3 Foot	6 Foot
Black	HDPC03BK	HDPC06BK



ISFHDT431 BK



Two and Three Gangable AV Wallboxes

Box	Catalog No.
2-gang, 2" KO, 54in ³ capacity	HBL985
3-gang, 2" KO, 79in ³ capacity	HBL986



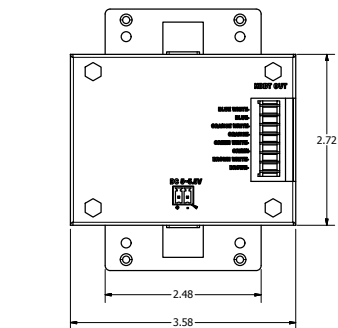
Low Voltage AV Wallbox Partitions

Description	Catalog No.
Solid divider	HBL989
With pass-thru capability	HBL989AVD



Decorator Wallplates

Description	Catalog No.
1-gang labelless	NP26xx
1-gang labelled	NP262xx
2-gang labelless	IFP126xx
2-gang labelled	IMFP2xx



xx = Color: **AL** (Almond), **BK** (Black), **GY** (Gray), **I** (Ivory), **OW** (Office White), and **W** (White)