



- Cabinet Maintains Structural Integrity when Fully Loaded at 400lb
- Cabinet Installs in Modular Sections
- Rear Wall Easily Configured to Accept 19" Panels, 110 Blocks, AV Splitters, and More
- Wall Mount Cabinets Optimize Floor Space

SPECIFICATIONS

- 400 lb load capacity
- Material:
 - Rear/center section: 14ga cold rolled steel
 - Top/bottom hinge cover panel: 11ga cold rolled steel
 - Front door: 18 ga cold rolled steel
 - Hinged mounting plates (rear door): 11ga cold rolled steel
- Finish: painted black
- 19" rack-style rails tapped #12-24
- 19" rack mounting width per EIA-310-D
- Grounding provisions per TIA-607
- Acrylic window tinted smoke gray
- 16" stud mounting
- Front door and rear locks both keyed alike with key #CH751
- Wall mounting hardware is 3/8" or #8 screws

STANDARDS

- UL Listed 1863

HUBBELL
QUADCAB

Wall Mount Enclosure



Hubbell's unique **QUADCAB**[®] wall mount enclosures are designed with special high-strength hinges and a removable rear cabinet section to provide fast, easy wall mounting in the field. Also, the rear section of the enclosure can be custom configured for a wide variety of equipment mounting brackets and accessories. Patented eccentric knockouts virtually eliminate conduit bending, and additional knockouts are provided for metal and plastic raceway.

QUADCAB wall mount cabinets provide the installer with superior features for quick and easy installation and equipment accessibility. A mobile base accessory is also available for floor mount installations.

APPLICATIONS

- Equipment rooms and telecommunications closets
- Process plants and control facilities
- Campus LANs and network backbones
- Data Centers





QUADCAB® WALL MOUNT CABINETS

Contents:

- 1 rear section (arrives disassembled to facilitate installation)
- 1 front door
- 2 19" mounting angles
- 1 center section with two CH751 locks
- 2 top/bottom cover plates
- 2 hinge pins
- 2 security cotter pins



Rack Units	Height	Depth	Door Style	Color*	Catalog No.
12	24"	20"	Window	Black	HSQ24
12	24"	26"	Window	Black	HSQ2426
12	24"	36"	Window	Black	HSQ2436
12	24"	20"	Solid	Black	HSQ24S
12	24"	26"	Solid	Black	HSQ24S26
12	24"	36"	Solid	Black	HSQ24S36

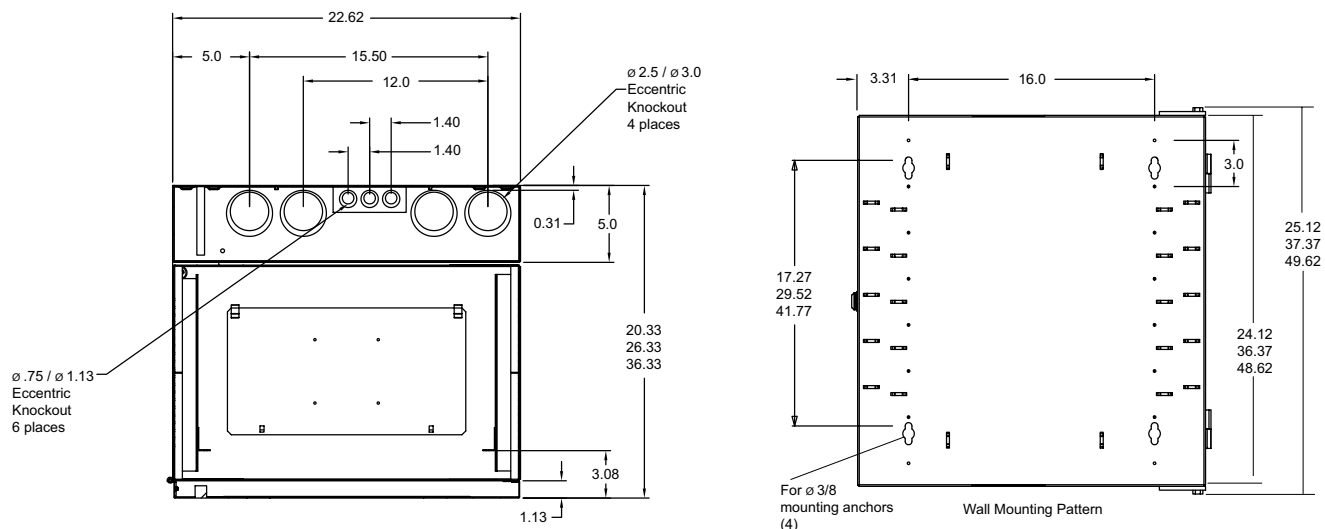
Rack Units	Height	Depth	Door Style	Color*	Catalog No.
19	36"	20"	Window	Black	HSQ36
19	36"	26"	Window	Black	HSQ3626
19	36"	36"	Window	Black	HSQ3636
19	36"	20"	Solid	Black	HSQ36S
19	36"	26"	Solid	Black	HSQ36S26
19	36"	36"	Solid	Black	HSQ36S36

Rack Units	Height	Depth	Door Style	Color*	Catalog No.
26	48"	20"	Window	Black	HSQ48
26	48"	26"	Window	Black	HSQ4826
26	48"	36"	Window	Black	HSQ4836
26	48"	20"	Solid	Black	HSQ48S
26	48"	26"	Solid	Black	HSQ48S26
26	48"	36"	Solid	Black	HSQ48S36



*For Office White, add "W" to the end of the Catalog Number.
 RWU: 2 RWU for 24" heights, 4 RWU for 36" heights, 6 RWU for 48" heights.

DIMENSIONS





Wall Mount Enclosure Accessories

FRONT DOOR

Replacement front doors for **QUADCAB®** enclosure.

Contents: 1 door, 1 window (on Plexiglas doors only), 2 hinge barrels, right and left hinges, 4 lock nuts and 4 carriage bolts

Catalog No. **HQKXDHH***

X = "S" for solid metal door or "W" for window door

HH = Height: "24" for 24"H, "36" for 36"H, or "48" for 48"H

***** = Finish: Standard finish is Black, for White add **"W"**



REAR RAIL KIT

Use to support rear of deep, active equipment or to adapt to accept cage nuts.

Contents: 2 19" mounting rails, 1 kit mounting hardware, 20 screws and 20 washers

Description	Catalog No.
24" x M6	HWK6M6
36" x M6	HWK9M6
48" x M6	HWK12M6
24" x #12-24	HWK241224
36" x #12-24	HWK361224
48" x #12-24	HWK481224



HWK241224

FAN KIT

Increases ventilation.

Contents: 1 fan tray assembly, wired, 1 kit mounting hardware

Description	Catalog No.
114 CFM, 120 VAC, 60 Hz, 36 dBA	HWKF120
114 CFM, 230 VAC, 50 Hz, 36 dBA	HWKF230



MOBILE BASE

Use to convert **QUADCAB®** Wall Mount Cabinet to floor standing cabinet.

Contents: 1 mobile base, 4 swivel casters, 4 leveling feet, 1 kit mounting hardware

Mobile Base	Catalog No.
20" depth	HSQKMB20
20" depth	HSQKMB26
20" depth	HSQKMB36



FAN PLATE/FAN

Fan Contents: 1 fan, 1 wire guard, 4 lock nuts, screws, and washers and 1 cord with 6' plug

Description	Catalog No.
Blank plate with 4" fan/PVC conduit knock-out	H1KB
Fan, 125V/7A	REKEF



3/4" PLYWOOD BACKBOARD

Provides universal mounting for wall mounted brackets, blocks, splitters, hubs and other devices. Mounts to rear wall.

Contents: 0.75" APA grade AC plywood painted fire-retardant white, 2 mounting brackets, 1 assembly hardware kit

Dimensions	Catalog No.
20" x 19"	REKBB20
30" x 19"	REKBB30
40" x 19"	REKBB40



REUSABLE DUST FILTER

Dust filter for air intake when using fans. Recommended use with gasket kit.

Contents: A/R brackets, gaskets, framed filters and 1 kit assembly hardware

Catalog No. **HWKFF**

*2 kits are needed for 3' and 4' cabinets.



LOCK KITS

Use to change lock style to meet specific applications.

Contents: 2 assembly locks and keys (except CKL716)

Description	Catalog No.
CH751 keyed lock kit	CKL751
333 keyed lock kit	CKL333
Bellcore 7/16 bit lock	CKL716
Cat60 keyed lock kit	CKLCAT60
Cat70 keyed lock kit	CKLCAT70



THERMOSTAT

Contents: 1 thermostat, 1 adhesive-backed mounting bracket, 1 wiring harness

Catalog No. **CTK**



FILLER PANEL, 3.5"

Mount to REKZ for use as a shelf.

Contents: 1 panel 2U, 4 HPW screws

Material: 0.09" aluminum
Finish: black anodized

Catalog No. **MCCBP350**





PATCH PANEL MOUNTING BRACKET

Use to mount patch panels to rear wall. Provides front access to rear for easy termination.

Contents: 2 brackets (1 left-, 1 right-hand)

Finish: light gray powder coat

Rack Units	RWU	Catalog No.
4	1	REK19
2	1	REK19L



20A POWER KIT

Occupies left or right side of one rear panel space.

Contents:

- 1 Hubbell surge-protected duplex receptacle with audible alarm (HBL5262IS)
- 1 single-gang work box
- 1 6' Hubbell **POLYTUFF®** non-metallic conduit
- 1 stainless steel face plate
- 1 assembly hardware kit



RWU Catalog No.

1 **REKP**

EQUIPMENT MOUNTING BRACKET

Provides 19" mounting for hubs and other active equipment to rear wall.

Contents: 2 brackets (1 left-, 1 right-hand)

Material: 16ga steel

Finish: light gray powder coat

Rack Units	RWU	Catalog No.
5	1	REKZ
3	1	REKZL



MT10 ADAPTER

Mates MT10 large capacity, 3-channel, surface raceway to the top of **RE-BOX®** cabinets. Routes both electrical and communications cables.

Contents: 1 base, 1 cover, 1 cover hardware kit

Material: 16ga steel construction
Finish: powder coat

Catalog No. **REKMT10**



110/66 BLOCK MOUNTING RAILS

Provides mounting for 110 and 66 blocks. Mounts to rear wall.

Contents: 2 110/66 block mounting rails, 20 #10-24 x 1/2" screws

Material: 18ga cold rolled steel
Finish: light gray powder coat

RWU Catalog No.

2 **REK110**



FIBER ADAPTER BRACKET

Accepts one fiber FSP adapter panel. Occupies no rear panel spaces.

Contents: 1 fiber optic bracket

Material: 16ga steel
Finish: light gray powder coat

Catalog No. **REKFP**



DIN RAIL COMMUNICATIONS KIT

Communications DIN rail utility box kit (unloaded).

Catalog No. **HIDRUBCKIT**

NOTE: See Section B in the full line catalog for **Style Line®** and duplex frames.



GROUND KITS

Use to ground cabinet components to common ground. Used in conjunction with the MCCGBAR and HPWCGPK10.

Contents: 1 grounding bar, 1 ground strap with ring terminals, 1 ground strap with ring terminal and female Faston®

Catalog No. **REKGB**

Contents: 1 ground strap with ring terminations

Catalog No. **REKEGS**



DIN RAIL UTILITY BOX

DIN rail compatible: power or data.

Contents: box, surge receptacle (HBL526GYSA) 15A/125V, mounting strap, clamping plate, terminal screw, grounding screw, auto ground clip, mounting screws

Material: ABS

Catalog No. **DRUBTVSS15H**

NOTE: See Section B in the full line catalog for **Style Line®** and duplex frames.



GASKET KITS

Use to enhance protection against dust and water, and performance of fan and filter.

Contents: 30' padded grommet

Catalog No. **HWKGT**

Contents: One 10' adhesive-backed foam gasket

Catalog No. **REKG**



Faston® is a registered trademark of The Whitaker Corporation/Amp Inc.