

*Super Duty for
Demanding Installations*

Hubbell's HSQ Super Duty QUADCAB® wall mount cabinets are designed with special high-strength hinges and a removable rear cabinet section to provide fast wall mounting in the field. Patented knockouts virtually eliminate conduit bending, and additional knockouts are provided for metal and plastic raceway. QUADCAB wall mount cabinets provide the installer with superior features for an easy installation that allows for equipment accessibility. The clean appearance is suitable for classrooms and offices. A mobile base accessory is also available for floor mount installations.

FEATURES

- Three enclosure depths accommodate most equipment depths
- Wide variety of accessories allow user to tailor to suit
- Cabinet installs in modular sections
- Doors available in smoked gray or solid
- Front door and center sections are keyed alike
- Mounting holes spaced for 16" on center studs
- Rails tapped #12-24
- Cabinet maintains structural integrity when fully loaded at 400lb



- Heavy duty design and high performance hinge accommodates the most demanding installation
- Easily separates for mounting the rear section first
- Fan kit easily installs to provide ample cooling



HSQ QUADCAB®

24" QUADCAB®

Includes: cabinet, 19" mounting rails, two locks and keys, top/bottom cover plates; Black

Rack Units	Height (Inches)	Depth (Inches)	Door	Catalog No.
12	24"	20"	Window	HSQ24
		26"	Window	HSQ2426
		36"	Window	HSQ2436
		20"	Solid	HSQ24S
		26"	Solid	HSQ24S26
		36"	Solid	HSQ24S36

36" QUADCAB®

Includes: cabinet, 19" mounting rails, two locks and keys, top/bottom cover plates; Black

Rack Units	Height (Inches)	Depth (Inches)	Door	Catalog No.
19	36"	20"	Window	HSQ36
		26"	Window	HSQ3626
		36"	Window	HSQ3636
		20"	Solid	HSQ36S
		26"	Solid	HSQ36S26
		36"	Solid	HSQ36S36

48" QUADCAB®

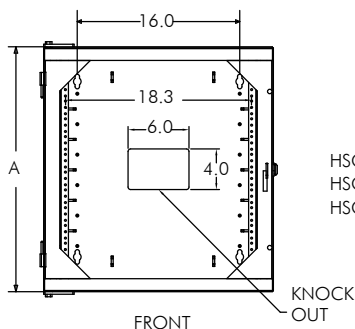
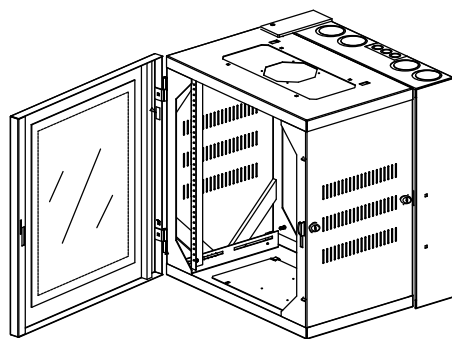
Includes: cabinet, 19" mounting rails, two locks and keys, top/bottom cover plates; Black

Rack Units	Height (Inches)	Depth (Inches)	Door	Catalog No.
26	48"	20"	Window	HSQ48
		26"	Window	HSQ4826
		36"	Window	HSQ4836
		20"	Solid	HSQ48S
		26"	Solid	HSQ48S26
		36"	Solid	HSQ48S36

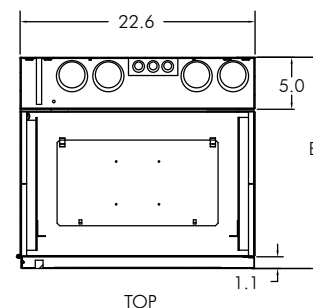
Specifications

UL 1863 Listed, EIA-310-E compliant

Dimensions



	Height A	Depth B
HSQ24	24.1	20.3
HSQ36	36.4	26.3
HSQ48	48.6	36.3



Additional Rails

Height (Inches)	Type	Rack Units	Catalog No.
24"	M6 cage nut	12	HWK6M6
36"	M6 cage nut	19	HWK9M6
48"	M6 cage nut	26	HWK12M6
24"	#12-24 threaded	12	HWK241224
36"	#12-24 threaded	19	HWK361224
48"	#12-24 threaded	26	HWK481224

Accessories

Description	Catalog No.
20A power kit with receptacle, electrical box, 6' conduit, hardware	REKP
Ground bar with straps	REKGB
14" deep cantilevered shelf	MCCCS19
14" deep cantilevered shelf, perforated	MCCCS19P
1RU cable manager, 3" deep	HS13C
2RU cable manager, 3" deep	HS23C

Fan Kits

Description	Catalog No.
114CFM fan kit, 120 VAC, 60Hz	HWKF120
114CFM fan kit, 230 VAC, 50Hz	HWKF230
Fan filter kit	HWKFF
Thermostat with wiring harness	CTK