

*Light Duty for
Indoor Installations*

Hubbell's HLQ Light Duty QUADCAB® wall mount cabinets deliver quick and easy installation. The rear section of the HLQ has openings that allow for installation of patch panels or equipment without requiring wires to be disconnected. The center section has installed gaskets that provide additional sealing from dust and debris entering the cabinet. The HLQ also comes with all three sections of the cabinet bonded together for easy attachment to a rack mounted busbar.

FEATURES

- Hinged center section for ease of access to rear of cabinet and backside of equipment
- Two pair of movable #12-24 tapped rails included
- Reversible cabinet for left or right hand swing
- Grounding jumpers installed to bond all sections
- Doors available in smoked gray or mesh
- Front door and center sections are keyed alike
- Mounting holes spaced for 16" on center studs
- Load capacities for all installations:
 - For the 24", 150lb
 - For the 36", 250lb
 - For the 48", 300lb



- Easy to install with a robust design for everyday use
- Large knockouts on rear section allow terminated patch panels to be installed
- Fan kit easily installs to provide ample cooling



HLQ QUADCAB®

24" HLQ QUADCAB®

Includes: cabinet, (2) pair 19" mounting rails, (2) locks and keys, installed bonding conductors; Black

| Rack Units | Height (Inches) | Depth (Inches) | Door | Catalog No. |
|------------|-----------------|----------------|--------|---------------|
| 12 | 24" | 24" | Window | HLQ24 |
| | | | Mesh | HLQ24M |

36" HLQ QUADCAB®

Includes: cabinet, (2) pair 19" mounting rails, (2) locks and keys, installed bonding conductors; Black

| Rack Units | Height (Inches) | Depth (Inches) | Door | Catalog No. |
|------------|-----------------|----------------|--------|---------------|
| 19 | 36" | 24" | Window | HLQ36 |
| | | | Mesh | HLQ36M |

48" HLQ QUADCAB®

Includes: cabinet, (2) pair 19" mounting rails, (2) locks and keys, installed bonding conductors; Black

| Rack Units | Height (Inches) | Depth (Inches) | Door | Catalog No. |
|------------|-----------------|----------------|--------|---------------|
| 25 | 48" | 24" | Window | HLQ48 |
| | | | Mesh | HLQ48M |

Accessories

| Description | Catalog No. |
|---|-----------------|
| 14" deep cantilevered shelf | MCCCS19 |
| 14" deep cantilevered shelf, perforated | MCCCS19P |
| 1RU cable manager, 3" deep | HS13C |
| 2RU cable manager, 3" deep | HS23C |

Power and Grounding

| Description | Catalog No. |
|---|-------------------|
| 20A power kit with receptacle, electrical box, 6' conduit, hardware | REKP |
| 19" ground bar | HBBBHR19KT |
| 15AMP horizontal power strip | HPWPWR |

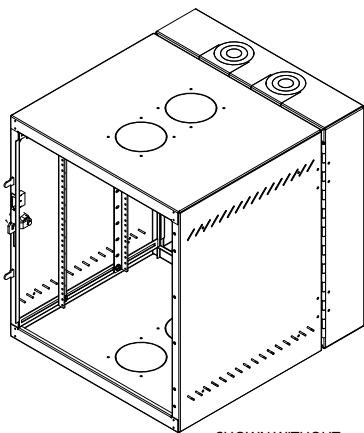
Fan Kits

| Description | Catalog No. |
|--------------------|--------------|
| 150 CFM fan kit | HLQFK |
| Filter kit, 4-pack | HLQFF |

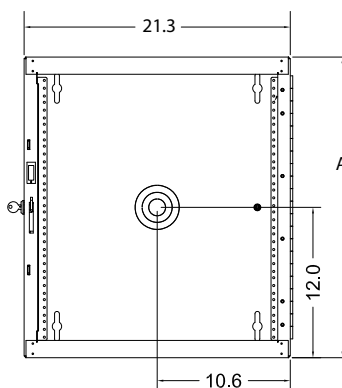
Specifications

UL Listed, EIA-310-E compliant, Grounding provisions per TIA-607

Dimensions

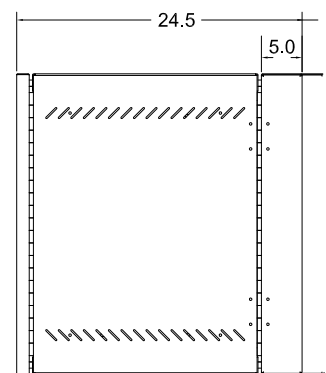


SHOWN WITHOUT FRONT DOOR



FRONT VIEW (WITHOUT DOOR)

| | A |
|-------|------|
| HLQ24 | 24.0 |
| HLQ36 | 36.0 |
| HLQ48 | 48.0 |



RIGHT SIDE VIEW