

NEXTSPEED

Ascent Category 6A Component

Patch Panel

Features

- 4.5dB Min NEXT Margin @ 500MHz Over TIA Component Specifications
- Short Links (Less than 10M) Supported
- Qualified to 150% of 802.3bt PoE Current Level
- Continuous Third Party Verification Program

Ordering Information

Description	Color	Catalog Number	UPC
NEXTSPEED Ascent Category 6A Patch Panel, 96-Port, 4 Rack Units	Black	HP6A96	662620247274

Listings

TIA-568-C.2 Category 6A component
ISO/IEC 11801/60603-7-41 6A component
Third Party tested for TIA 568-C.2 requirements. Component/link/channel Category 6A and ISO/IEC 11801 Class EA
Mechanical: Verified to TIA-568-C.2
UL Listed 1863, UL 94 V-0 Flammability Rating ISO9001-2008 manufacturing process

Specifications

Nose Contact Material	Beryllium copper with precious metal plating with nickel under-plating
Rear IDC Contact	Phosphor bronze with 100 micro-inch lead free tin over nickel plating
Panel Material	14 gauge steel rolled-edge construction
Dimensions (W x H) Inch (mm)	19 (483) x 7.00 (178)
CEA-310-E	Dimensions and mounting holes per CEA-310-E

Performance

Electrical

4.5dB NEXT margin over TIA 568-C.2 component at 500MHz
1.5dB NEXT margin over ISO/IEC 11801 6A component requirements at 500MHz
Designed and tested for 1.5A of continuous current per pair
Enhanced common mode design eliminates residual and reflected NEXT and ANEXT

General Information

Manufacturing: 100% factory tested
Universal wiring (T568A or T568B)
Integrated labeling and icon slots for 606-B compliance

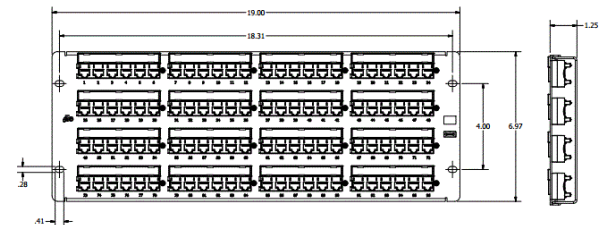
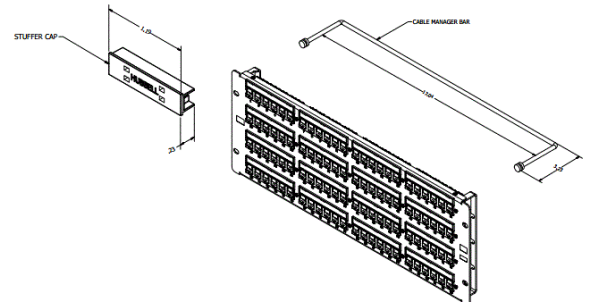
Mechanical

Mating Cycle: 2000+ with FCC 8-position plug

Applications

IEEE 802.3an 10GBASE-T
IEEE 802.3bt 4PPoE Power over Ethernet
Suitable for links 2-90M
IEEE 802.11ac and IEEE 802.11ax WAP deployments
Backwards compatible with Category 5E and 6 hardware and applications

HUBBELL



Accessories

Category 6A Component Jack	HJ6AB
Category 6A Patch Cord	HC6AB03
Category 6A Panel Replacement Adaptor	HP6AM6
Category 6A UTP Cable	C6ASRB

Online Resources

Customer Use Drawing
eCatalog

